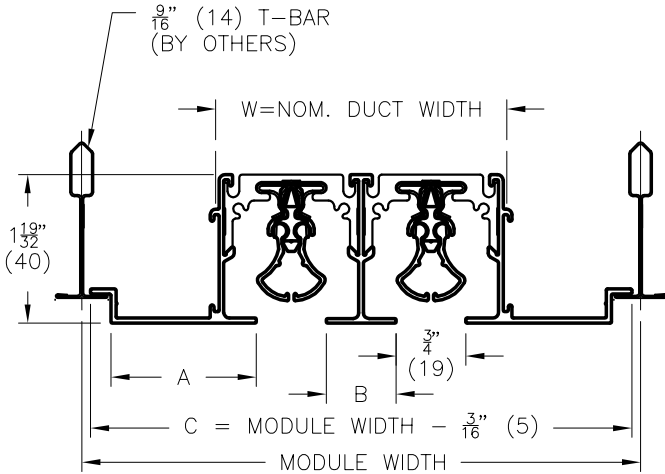
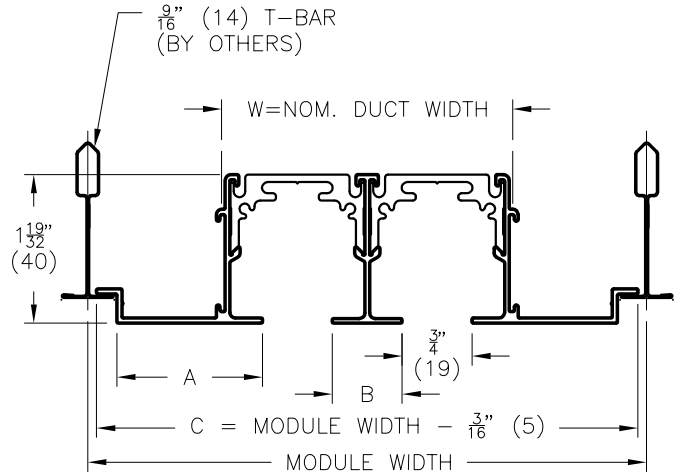


**SDS / SDR LINEAR SLOT DIFFUSER - TYPE 18
TECHZONE CEILING LAY-IN APPLICATION**



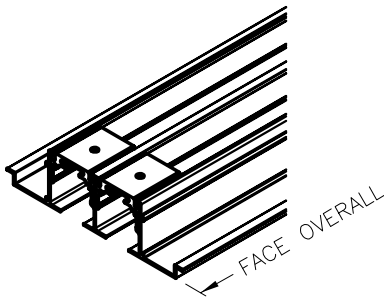
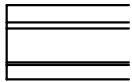
SDS75



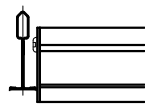
SDR75

END CONDITIONS:

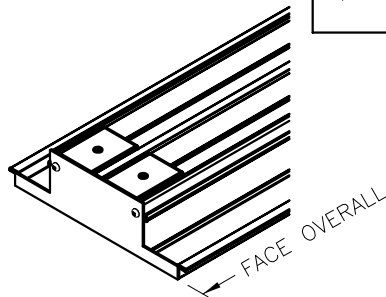
Y - OPEN END
FOR SPlicing TOGETHER
MULTIPLE SECTIONS



Z - CLOSED END CAP



← CEILING MODULE



MODULE		SDS75			
WIDTH	SLOTS	W	A	B	C
4" (102)	1	1 ⁵ / ₈ " (41)	1 ⁵ / ₁₆ " (33)	—	3 ¹³ / ₁₆ " (97)
	2	3 ¹ / ₈ " (79)	9 ¹ / ₁₆ " (14)	3 ³ / ₄ " (19)	3 ¹³ / ₁₆ " (97)
6" (152)	1	1 ⁵ / ₈ " (41)	2 ⁵ / ₁₆ " (59)	—	5 ¹³ / ₁₆ " (148)
	2	3 ¹ / ₈ " (79)	1 ⁹ / ₁₆ " (40)	3 ³ / ₄ " (19)	5 ¹³ / ₁₆ " (148)
	3	4 ⁵ / ₈ " (117)	1 ³ / ₁₆ " (21)	3 ³ / ₄ " (19)	5 ¹³ / ₁₆ " (148)
	4	5 ¹ / ₈ " (130)	7 ¹ / ₁₆ " (11)	1 ¹ / ₂ " (13)	5 ¹³ / ₁₆ " (148)

END CONDITION	FACE LENGTH
Y-Y	CEILING MODULE
Y-Z	CEILING MODULE - ⁵ / ₁₆ " (8)
Z-Z	CEILING MODULE - ⁵ / ₈ " (16)

FINISH:

- PATTERN CONTROLLERS - B17 BLACK
- DIFFUSER FACE - B12 WHITE (OPTIONAL FINISHES AVAILABLE)

MATERIAL:

- EXTRUDED ALUMINUM FRAME
- ROLLFORMED STEEL OR EXTRUDED ALUMINUM PATTERN CONTROLLERS ON SDS75

NOTE:

- MINIMUM LENGTH 8" (203)
- MAXIMUM SECTION LENGTH 72" (1829)
- FOR USE WITH 4" (102) OR 6" (152) TECHZONE CEILING MODULE SIZES
- 180° AIR PATTERN ADJUSTMENT AVAILABLE
- INTEGRATES WITH TECHZONE CEILING SYSTEM
- USE TYPE 18 SDB / SDA PLENUM, OR UP / UPL
- FACTORY TOLERANCE ± 1/32" (1)
- SEE INSTALLATION INSTRUCTION I100046

MODELS:

SUPPLY DIFFUSERS: RETURNS:
 SDS75 - ³/₄" SLOT SDR75 - ³/₄" SLOT

ALL METRIC DIMENSIONS () ARE SOFT CONVERTED. IMPERIAL DIMENSIONS ARE CONVERTED TO METRIC AND ROUNDED TO THE NEAREST MILLIMETER.

PROJECT:		PRICE®	
ENGINEER:		<i>MJ</i>	SDS / SDR TYPE 18 LINEAR DIFFUSER TECHZONE CEILING SYSTEM
CUSTOMER:			
SUBMITTAL DATE:	SPEC. SYMBOL:	2013/08/30	